

# Klippon® STB – Small Terminal Box

## Steel enclosures

Ideally suited for the energy and process industry and transportation, the Klippon® STB range is the perfect complement to our existing Klippon® enclosure product line. Enclosures of this range comply with international standards such as EN 62208 and EN 60079-0/7 (ATEX).

Some of the many advantages of these cases are:

- Available in stainless steel or in steel sheet
- Higher temperature resistant seals than the standard (extended temperature range of -60 °C to +100 °C / 120 °C, on request)
- Flexible options when mounting the internal rail
- The gasket is protected against compression; this ensures that a permanent and secure seal is maintained.
- Earth studs in the lid and in the enclosure base
- Lasered welding seams offer improved quality
- Delivered with welded mounting feet to ensure an sturdy enclosure installation

Weidmüller can manufacture and supply this enclosure to match customer specifications and fitted with all necessary terminals and cable glands.



## Overview of enclosures

### Ordering data

Description	Dimensions in mm	Mirror-polish	Electropolished	Powder-coated (RAL7032)
Klippon® STB 1	120 x 120 x 80	1002690000	1058810000	1024970000
Klippon® STB 1.1	150 x 120 x 80	1002750000	1058820000	1024980000
Klippon® STB 2	150 x 150 x 90	1002740000	1058830000	1024990000
Klippon® STB 2.1	190 x 150 x 90	1002730000	1058840000	1025010000
Klippon® STB 3	190 x 190 x 100	1002720000	1058850000	1025020000
Klippon® STB 4	250 x 250 x 120	1002710000	1058860000	1025030000
Klippon® STB 5	160 x 380 x 120	1002700000	1058880000	1025040000
Klippon® STB 6	250 x 400 x 130	1002760000	1058870000	1025050000

Note

## Technical Overview

### Features

- Mirror-polished or electropolished stainless steel 1.4404 (316L) or powder coated steel sheet 1.0330
- Fitted with a welded, internal C-profile rail (TAS 20) and mounting feet
- Laser cut weld seams
- Approved according to the latest international norms (e.g. ATEX, cULus, GOST)

**Note** We deliver enclosures through our assembly service which are ready to be connected and suitable for every application

### Technical data

	Stainless steel	Sheet steel
Enclosure material	Stainless steel 1.4404 (316L) 1.50 mm	Steel sheet 1.0330 1.50 mm
Surface finish	Mirror-polished, electropolished	Powder-coated RAL 7032
IP protection class	IP 66	IP 66
NEMA Rating	4, 4x	
Earthing	Enclosure base part: internal / external M6 stainless steel Lid: M6 x 12 stainless steel	Enclosure base part: internal / external M6 stainless steel Lid: M6 x 12 stainless steel
Installation mounting	Welded C-profile rail	Welded C-profile rail
Enclosure attachment	2 external mounting feet with 8 mm holes	2 external mounting feet with 8 mm holes
Lid opening	Completely removable lid with 4 x M5 screws	Completely removable lid with 4 x M5 screws
Impact resistance	7J ATEX	10J industrial version
Gasket material	Silicone -60 °C...+100 °C (120 °C on request)	Silicone -60 °C...+120 °C
Lid screws, torque*	2.5 Nm	2.5 Nm

The gasket is protected against compression in line with the manufacturer's recommendation

**Note** \* To secure the lid, please use our hexagonal socket wrench with a 10 mm socket (9009070000)

### Approvals for empty enclosures

	Stainless steel	Sheet steel
ATEX / IECEx certificate	IBExU 07ATEX1147 U / IECEx IBE09.0018U	
ATEX / IECEx marking	⊕ II 2 G Ex e II C Gb ⊕ II 2 D Ex tb IIIC Db IP66	
cULus	E 197061	
Lloyds Register	08/20032	08/20032
Germanischer Lloyd	5935808 HH	
GOST	POCC DE.ME25.B01450	

The Klippon® STB enclosure range can be pre-fitted in our customer specific production department according to your wishes; as an example, terminals, or other approved components, can be installed as required.

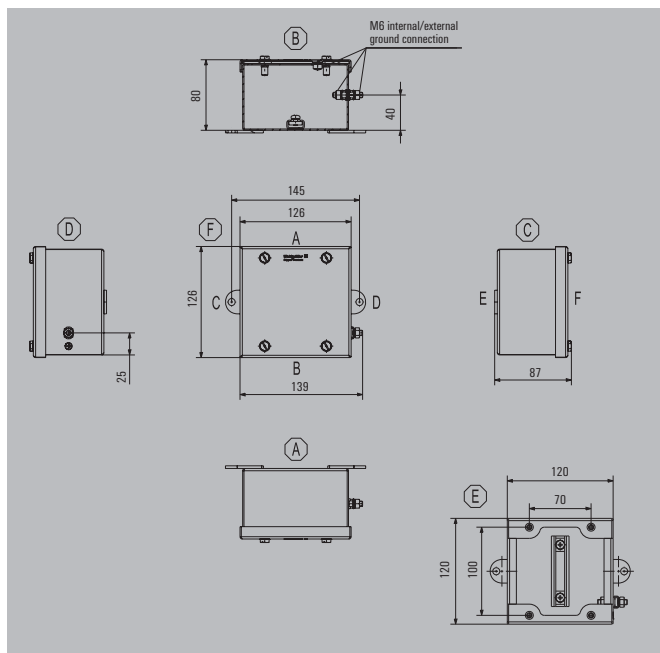
**Note** This enclosure range is component certified. If other electrical components are inserted into the case, additional certification is required.

### Approvals for control and distribution box

	Stainless steel	Sheet steel
ATEX / IECEx certificate	IBExU 07ATEX1148 / IECEx IBE09.0019	*
ATEX / IECEx marking	⊕ II 2 G Ex e IIC Gb Tx, ⊕ II 2 D Ex tb IIIC Db IP6x Txxxx °C ⊕ I II 1 G Ex ia IIC Ga Tx, ⊕ II 1 D Ex tb IIIC Db IP6x Txxx °C ⊕ II 2 G Ex e IIC Gb Tx, ⊕ II 2 D Ex tb IIIC Db IP6x Txxx °C	

**Note** If you have specific requirements for equipment operating in explosive hazard areas, please contact us at Weidmüller to receive a full copy of the certification

\* The Klippon® STB steel version is not Ex certified



Height/Width/Depth 120 / 120 / 80 mm

**Ordering data**

Material	Finish	Order No.
Stainless steel 1.4404 (316L)	Polished Sheet	1002690000
	Electropolished	1058810000
Sheet steel, powder-coated (RAL 7032)	Powder-coated paint	1024970000

**Note** The colours of painted enclosures may vary under certain circumstances.

**Accessories**

Accessory	Order No.
Sliding fixing nut with screw	M5 0433500000
Socket wrench	M10 socket wrench 9009070000

**Max. number of terminals (industry)**

Assembly with terminal	vertical	horizontal
2.5 mm <sup>2</sup>	1x17	
4 mm <sup>2</sup>	1x14	
6 mm <sup>2</sup>	1x11	
10 mm <sup>2</sup>	1x8	
16 mm <sup>2</sup>	1x7	



**Note** The mounting rails are designed to be installed directly. Assembly with terminals provides for 10 mm clearance to the ends of the mounting rail. Recommended order: TS 35 mounting rail (screw terminal) WDU 2.5 1020000000 / (tension clamp terminal) ZDU 2.5 1608510000 TS 32 mounting rail (screw terminal) SAK 2.5 0279660000 TS 15 mounting rail (screw terminal) AKZ 2.5 0697160000

**Number of cable entries**

Number of cable entries	A / B	C / D
M12	10	8
M16	6	4
M20	6	4
M25	3	2
M32	2	1
M40	2	1
M50		
M63		



**Note**

**Note** The enclosure is supplied with a set of sliding fixing nuts, washer, screws M5, to fix the mounting rail TS 35 or TS 32 into the C-Profile.

Klippon® STB 1.1

Depth **80 mm**



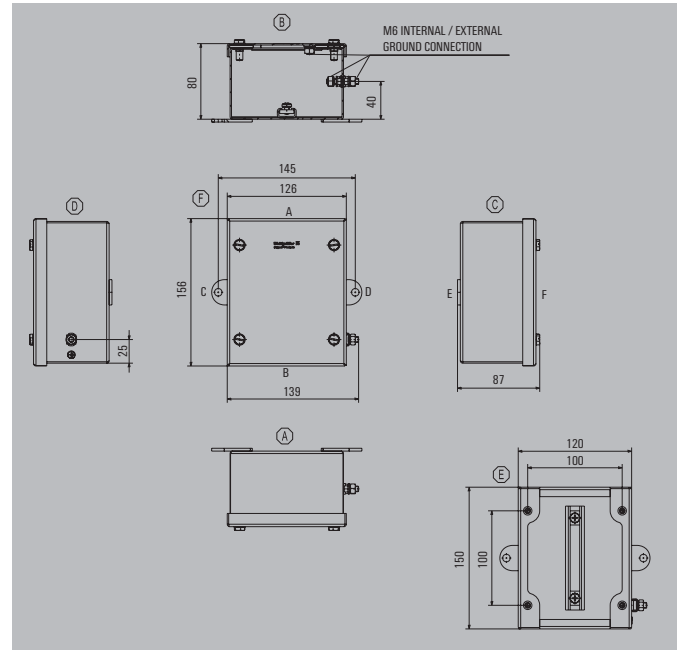
Height/Width/Depth 150 / 120 / 80 mm

**Ordering data**

Stainless steel 1.4404 (316L)		Order No.
	Polished Sheet	1002750000
	Electropolished	1058820000
Sheet steel, powder-coated (RAL 7032)		
	Powder-coated paint	1024980000
<b>Note</b>	The colours of painted enclosures may vary under certain circumstances.	

**Accessories**

Sliding fixing nut with screw		Order No.
	M5	0433500000
Socket wrench		
	M10 socket wrench	9009070000



**Max. number of terminals (industry)**

Assembly with terminal	vertical	horizontal
	2.5 mm <sup>2</sup>	1x23
	4 mm <sup>2</sup>	1x19
	6 mm <sup>2</sup>	1x14
	10 mm <sup>2</sup>	1x11
	16 mm <sup>2</sup>	1x9



**Note** The mounting rails are designed to be installed directly. Assembly with terminals provides for 10 mm clearance to the ends of the mounting rail. Recommended order: TS 35 mounting rail (screw terminal) WDU 2.5 1020000000 / (tension clamp terminal) ZDU 2.5 1608510000 TS 32 mounting rail (screw terminal) SAK 2.5 0279660000 TS 15 mounting rail (screw terminal) AKZ 2.5 0697160000

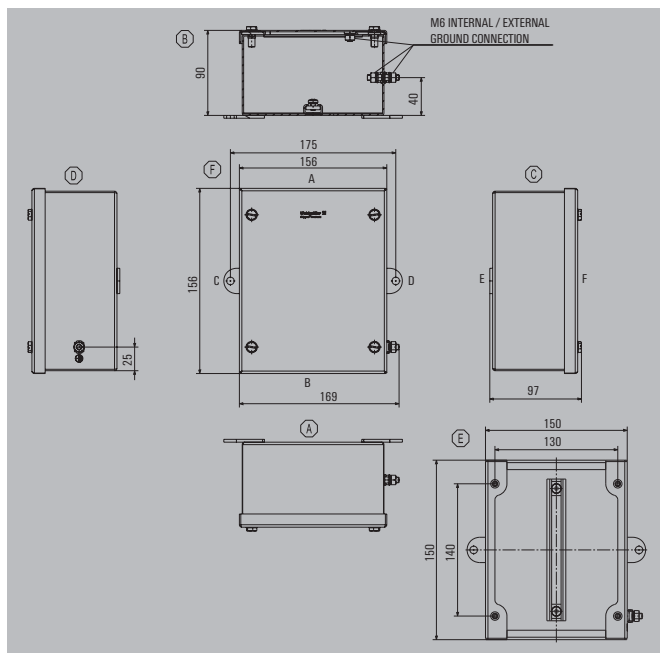
**Number of cable entries**

Number of cable entries	A / B	C / D
	M12	10
	M16	6
	M20	6
	M25	3
	M32	2
	M40	2
	M50	1
	M63	



**Note**

**Note** The enclosure is supplied with a set of sliding fixing nuts, washer, screws M5, to fix the mounting rail TS 35 or TS 32 into the C-Profile.



Height/Width/Depth 150 / 150 / 90 mm

**Ordering data**

Stainless steel 1.4404 (316L)	Order No.
Polished Sheet	1002740000
Electropolished	1058830000
Sheet steel, powder-coated (RAL 7032)	Order No.
Powder-coated paint	1024990000
<b>Note</b>	The colours of painted enclosures may vary under certain circumstances.

**Accessories**

Sliding fixing nut with screw	Order No.
M5	0433500000
Socket wrench	Order No.
M10 socket wrench	9009070000

**Max. number of terminals (industry)**

Assembly with terminal	vertical	horizontal
2.5 mm <sup>2</sup>	1x23	
4 mm <sup>2</sup>	1x19	
6 mm <sup>2</sup>	1x14	
10 mm <sup>2</sup>	1x11	
16 mm <sup>2</sup>	1x9	



**Note** The mounting rails are designed to be installed directly. Assembly with terminals provides for 10 mm clearance to the ends of the mounting rail. Recommended order: TS 35 mounting rail (screw terminal) WDU 2.5 1020000000 / (tension clamp terminal) ZDU 2.5 1608510000 TS 32 mounting rail (screw terminal) SAK 2.5 0279660000 TS 15 mounting rail (screw terminal) AKZ 2.5 0697160000

**Number of cable entries**

Number of cable entries	A / B	C / D
M12	15	15
M16	10	8
M20	8	6
M25	3	2
M32	3	2
M40	2	2
M50	1	1
M63		



**Note**

**Note** The enclosure is supplied with a set of sliding fixing nuts, washer, screws M5, to fix the mounting rail TS 35 or TS 32 into the C-Profile.

Klippon® STB 2.1

Depth **90 mm**



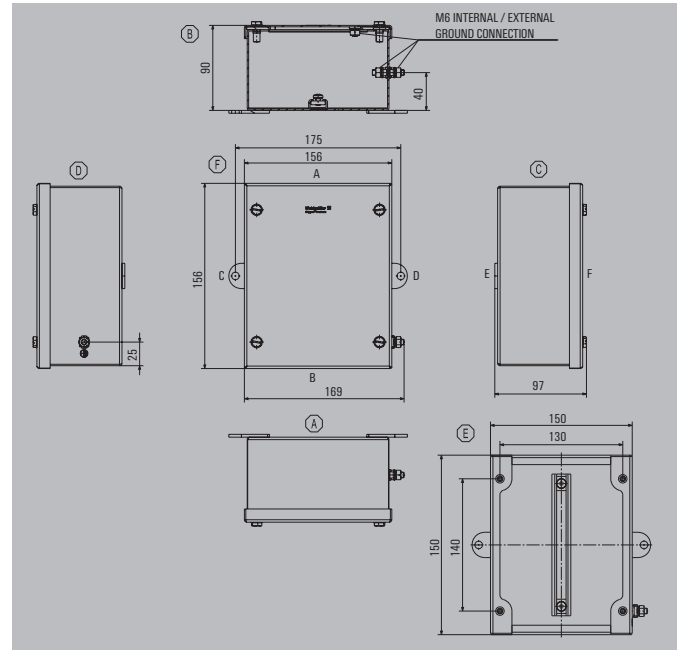
Height/Width/Depth 190 / 150 / 90 mm

**Ordering data**

Stainless steel 1.4404 (316L)		Order No.
	Polished Sheet	1002730000
	Electropolished	1058840000
Sheet steel, powder-coated (RAL 7032)		
	Powder-coated paint	1025010000
<b>Note</b>	The colours of painted enclosures may vary under certain circumstances.	

**Accessories**

Sliding fixing nut with screw		Order No.
	M5	0433500000
Socket wrench		
	M10 socket wrench	9009070000



**Max. number of terminals (industry)**

Assembly with terminal	vertical	horizontal
	2.5 mm <sup>2</sup>	1x30
	4 mm <sup>2</sup>	1x25
	6 mm <sup>2</sup>	1x20
	10 mm <sup>2</sup>	1x15
	16 mm <sup>2</sup>	1x13



**Note** The mounting rails are designed to be installed directly. Assembly with terminals provides for 10 mm clearance to the ends of the mounting rail. Recommended order: TS 35 mounting rail (screw terminal) WDU 2.5 1020000000 / (tension clamp terminal) ZDU 2.5 1608510000 TS 32 mounting rail (screw terminal) SAK 2.5 0279660000 TS 15 mounting rail (screw terminal) AKZ 2.5 0697160000

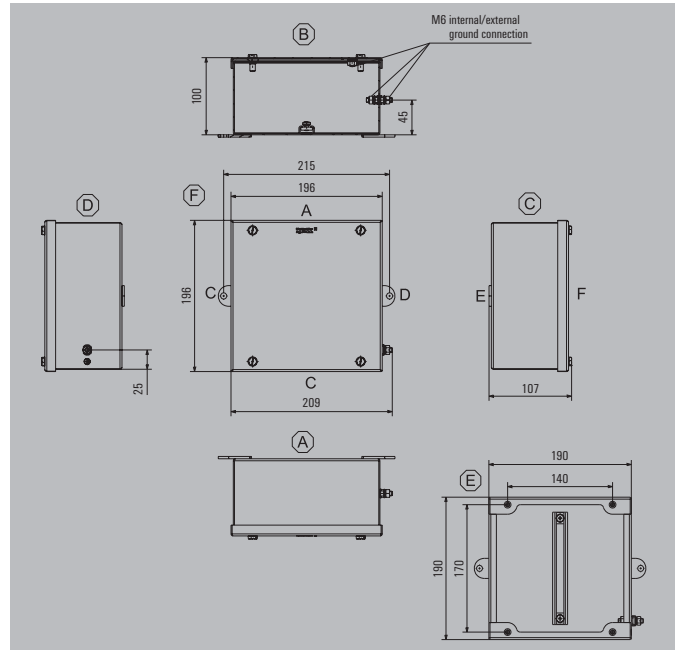
**Number of cable entries**

Number of cable entries	A / B	C / D
	M12	15
	M16	10
	M20	8
	M25	3
	M32	3
	M40	2
	M50	1
	M63	1



**Note**

**Note** The enclosure is supplied with a set of sliding fixing nuts, washer, screws M5, to fix the mounting rail TS 35 or TS 32 into the C-Profile.



Height/Width/Depth 190 / 190 / 100 mm

**Ordering data**

Material	Finish	Order No.
Stainless steel 1.4404 (316L)	Polished Sheet	1002720000
	Electropolished	1058850000
Sheet steel, powder-coated (RAL 7032)	Powder-coated paint	1025020000
	<b>Note</b> The colours of painted enclosures may vary under certain circumstances.	

**Accessories**

Accessory	Order No.
Sliding fixing nut with screw	M5 0433500000
Socket wrench	M10 socket wrench 9009070000

**Max. number of terminals (industry)**

Assembly with terminal	vertical	horizontal
2.5 mm <sup>2</sup>	1x30	
4 mm <sup>2</sup>	1x25	
6 mm <sup>2</sup>	1x20	
10 mm <sup>2</sup>	1x15	
16 mm <sup>2</sup>	1x13	



**Note** The mounting rails are designed to be installed directly. Assembly with terminals provides for 10 mm clearance to the ends of the mounting rail. Recommended order: TS 35 mounting rail (screw terminal) WDU 2.5 1020000000 / (tension clamp terminal) ZDU 2.5 1608510000 TS 32 mounting rail (screw terminal) SAK 2.5 0279660000 TS 15 mounting rail (screw terminal) AKZ 2.5 0697160000

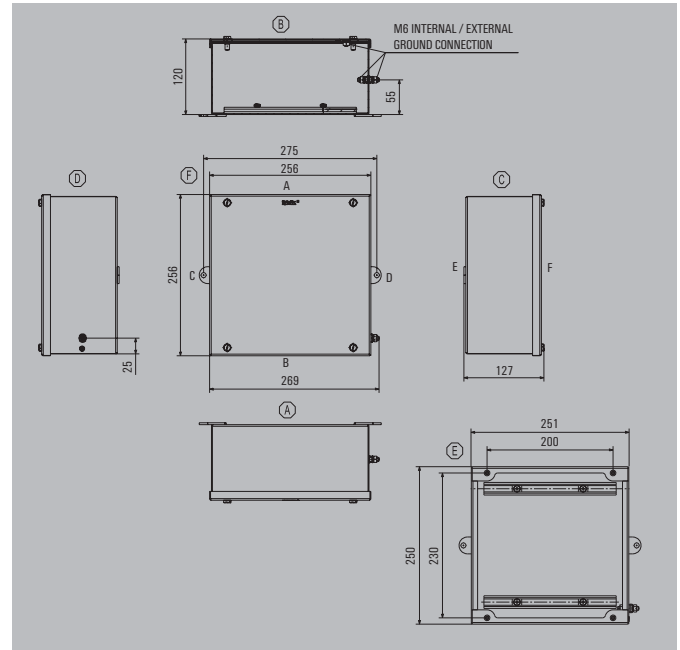
**Number of cable entries**

Number of cable entries	A / B	C / D
M12	21	21
M16	15	15
M20	10	8
M25	8	6
M32	3	3
M40	3	2
M50	2	1
M63	1	

**Note**



**Note** The enclosure is supplied with a set of sliding fixing nuts, washer, screws M5, to fix the mounting rail TS 35 or TS 32 into the C-Profile.



Height/Width/Depth 250 / 250 / 120 mm

**Ordering data**

Stainless steel 1.4404 (316L)		Order No.
	Polished Sheet	1002710000
	Electropolished	1058860000
Sheet steel, powder-coated (RAL 7032)		
	Powder-coated paint	1025030000
<b>Note</b>	The colours of painted enclosures may vary under certain circumstances.	

**Accessories**

Sliding fixing nut with screw		Order No.
	M5	0433500000
Socket wrench		
	M10 socket wrench	9009070000

**Max. number of terminals (industry)**

Assembly with terminal	vertical	horizontal
	2.5 mm <sup>2</sup>	2x42
	4 mm <sup>2</sup>	2x35
	6 mm <sup>2</sup>	2x27
	10 mm <sup>2</sup>	2x22
	16 mm <sup>2</sup>	2x18



**Note** The mounting rails are designed to be installed directly. Assembly with terminals provides for 10 mm clearance to the ends of the mounting rail. Recommended order: TS 35 mounting rail (screw terminal) WDU 2.5 1020000000 / (tension clamp terminal) ZDU 2.5 1608510000 TS 32 mounting rail (screw terminal) SAK 2.5 0279660000 TS 15 mounting rail (screw terminal) AKZ 2.5 0697160000

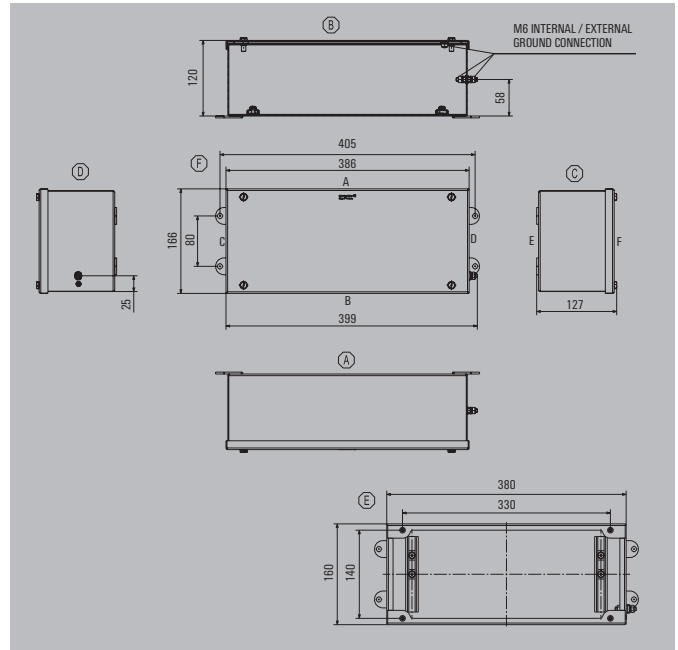
**Number of cable entries**

Number of cable entries	A / B	C / D
	M12	24
	M16	21
	M20	12
	M25	10
	M32	8
	M40	3
	M50	3
	M63	2

**Note**

**Note** The enclosure is supplied with a set of sliding fixing nuts, washer, screws M5, to fix the mounting rail TS 35 or TS 32 into the C-Profile.





Height/Width/Depth 160 / 380 / 120 mm

**Ordering data**

Stainless steel 1.4404 (316L)	Order No.
Polished Sheet	1002700000
Electropolished	1058880000
Sheet steel, powder-coated (RAL 7032)	Order No.
Powder-coated paint	1025040000
<b>Note</b>	The colours of painted enclosures may vary under certain circumstances.

**Accessories**

Sliding fixing nut with screw	Order No.
M5	0433500000
Socket wrench	Order No.
M10 socket wrench	9009070000

**Max. number of terminals (industry)**

Assembly with terminal	vertical	horizontal
2.5 mm <sup>2</sup>	3x25	1x68
4 mm <sup>2</sup>	3x21	1x57
6 mm <sup>2</sup>	3x16	1x44
10 mm <sup>2</sup>	3x12	1x35
16 mm <sup>2</sup>	3x10	1x29



**Note** The mounting rails are designed to be installed directly. Assembly with terminals provides for 10 mm clearance to the ends of the mounting rail. Recommended order: TS 35 mounting rail (screw terminal) WDU 2.5 1020000000 / (tension clamp terminal) ZDU 2.5 1608510000 TS 32 mounting rail (screw terminal) SAK 2.5 0279660000 TS 15 mounting rail (screw terminal) AKZ 2.5 0697160000

**Number of cable entries**

Number of cable entries	A / B	C / D
M12	64	20
M16	33	12
M20	30	12
M25	16	6
M32	10	4
M40	6	2
M50	4	1
M63	2	1

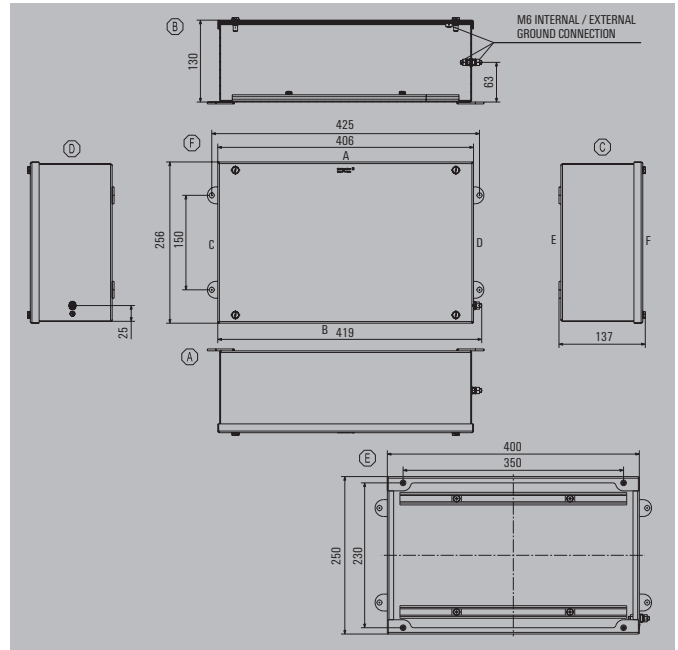
**Note**



**Note** The enclosure is supplied with a set of sliding fixing nuts, washer, screws M5, to fix the mounting rail TS 35 or TS 32 into the C-Profile.

Klippon® STB 6

Depth 130 mm



Height/Width/Depth 250 / 400 / 130 mm

**Ordering data**

Stainless steel 1.4404 (316L)	Order No.
Polished Sheet	1002760000
Electropolished	1058870000
Sheet steel, powder-coated (RAL 7032)	Order No.
Powder-coated paint	1025050000
<b>Note</b>	The colours of painted enclosures may vary under certain circumstances.

**Accessories**

Sliding fixing nut with screw	Order No.
M5	0433500000
Socket wrench	Order No.
M10 socket wrench	9009070000

**Max. number of terminals (industry)**

Assembly with terminal	vertical	horizontal
2.5 mm <sup>2</sup>	3x42	2x72
4 mm <sup>2</sup>	3x35	2x60
6 mm <sup>2</sup>	3x27	2x46
10 mm <sup>2</sup>	3x22	2x37
16 mm <sup>2</sup>	3x18	2x30



**Note** The mounting rails are designed to be installed directly. Assembly with terminals provides for 10 mm clearance to the ends of the mounting rail. Recommended order: TS 35 mounting rail (screw terminal) WDU 2.5 1020000000 / (tension clamp terminal) ZDU 2.5 1608510000 TS 32 mounting rail (screw terminal) SAK 2.5 0279660000 TS 15 mounting rail (screw terminal) AKZ 2.5 0697160000

**Number of cable entries**

Number of cable entries	A / B	C / D
M12	64	36
M16	33	21
M20	30	18
M25	16	10
M32	10	8
M40	6	3
M50	4	2
M63	2	2



**Note**

**Note** The enclosure is supplied with a set of sliding fixing nuts, washer, screws M5, to fix the mounting rail TS 35 or TS 32 into the C-Profile.